



RELIABILITY • CAPACITY • ECONOMIC DEVELOPMENT

East-West Tie Project Designation Process Meeting

Incumbent Transmitter

Randy Church
January 10, 2012



Existing E-W Tie



Station Upgrades

- Three stations to be upgraded to accommodate new lines; Wawa TS, Marathon TS and Lakehead TS
- Extensive modifications and outage requirements
- Station ground grid may be expanded
- Modifications and additions to existing P&C, telecommunications and SCADA systems
- New busses, breakers and switches
- New SVCs and shunt capacitors/reactors

EXISTING PROJECT ASSETS (continued)



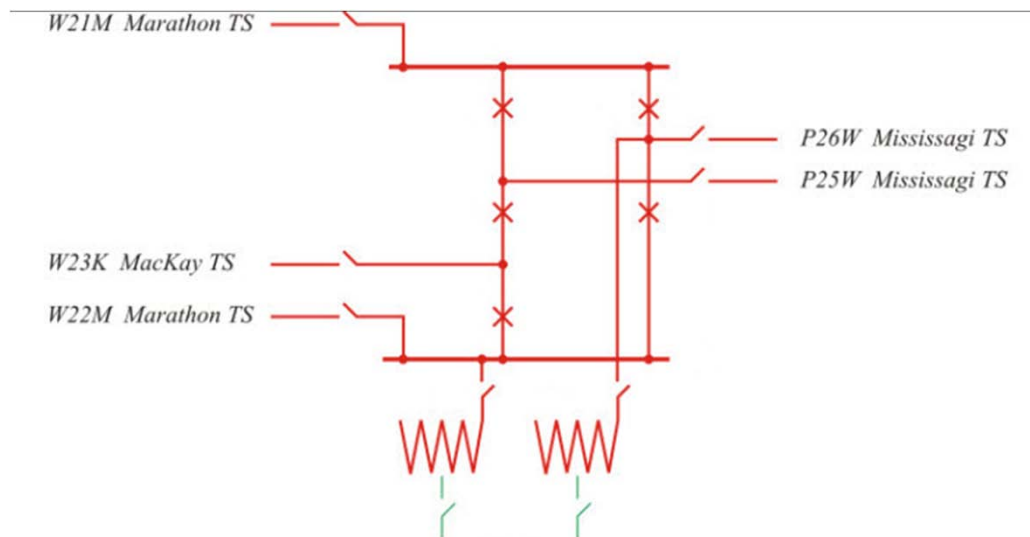
Wawa TS

■ Existing Equipment:

- Two 230/115/13.8 kV, 75/100/125 MVA transformers
- Four Oil breakers and one SF6 breaker
- Two lines to Marathon

■ Required Equipment:

- 6-9 new breakers
- Bus work
- P&C
- Demarcation device



EXISTING PROJECT ASSETS (continued)



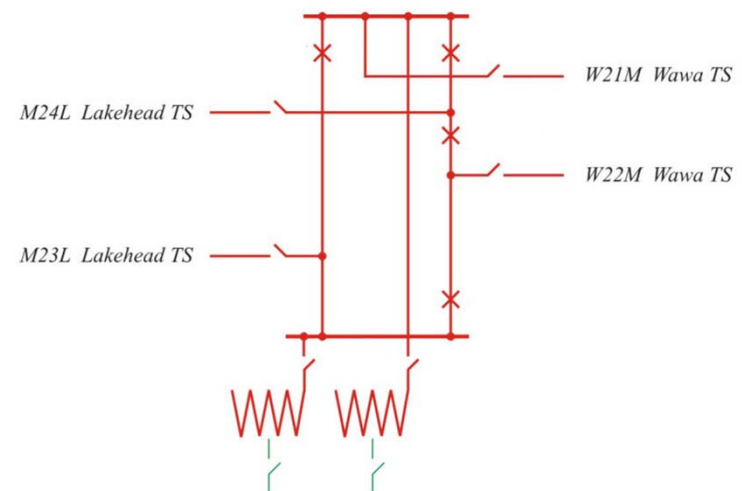
Marathon TS

■ Existing Equipment:

- Two 230/115/13.8 kV, 75/100/125 MVA transformers
- Three Oil breakers and one Sf6 breaker
- Two lines east to Wawa and two lines west to Lakehead

■ Required Equipment:

- 8-9 new breakers
- Bus
- SVC and shunt reactors/capacitors
- P&C
- Demarcation devices



EXISTING PROJECT ASSETS (continued)



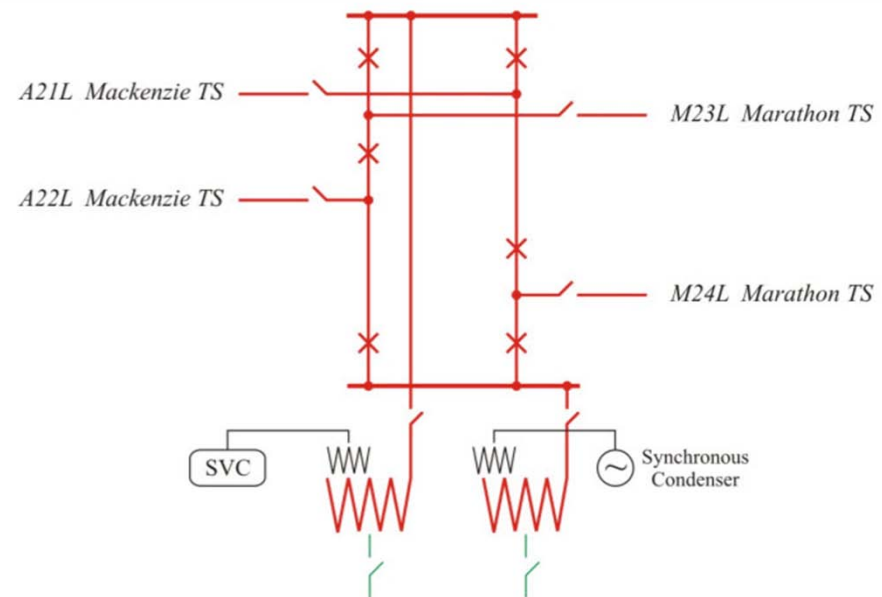
Lakehead TS

■ Existing Equipment:

- Two 230/115/13.8 kV, 150/200/250 MVA transformers
- Six Oil breakers
- One SVC and One SC
- Two lines to east to Marathon and two lines west to Mackenzie

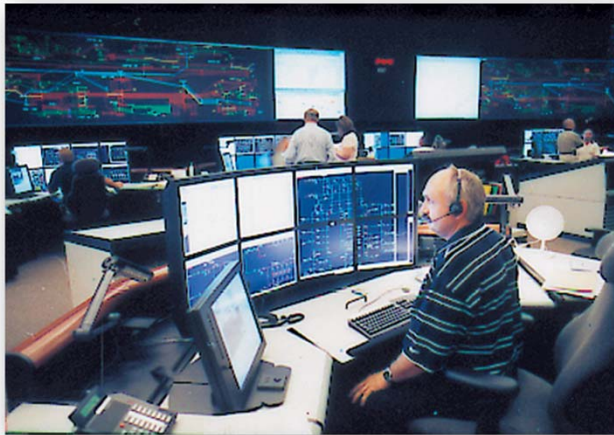
■ Required Equipment:

- 3-4 new breakers
- Shunt Capacitor
- Bus



SCOPE – INCUMBENT TRANSMITTER

- Perform the upgrade work at the three E-W tie line stations



- Own, operate and maintain assets in within the stations

- Enter into interconnection facility and operating agreements with designated transmitter





Thank-You

